

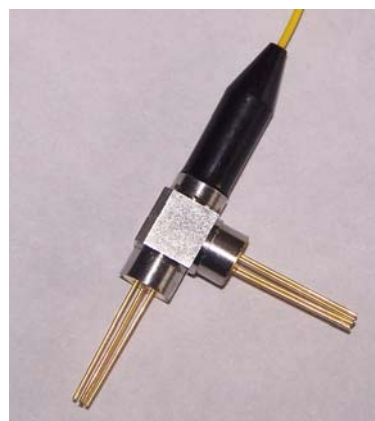
## 1310/1550 Double Laser pigtail Device

### Features:

- InGaAsP/InP MQW-FP as laser
- 1310/1550nm Double laser
- Low current Threshold
- Inner rear-faced monitor diode
- Single model fiber pigtail package
- Rohs Compliant

### Applications:

- Optical communication
- Instruments and Meters



### Parameters:

Parameter	Symbol	Test Condition	Min	TYP	Max	Unit
Wavelength	$\lambda_p$	If=Ith+20mA	1290	1310	1330	nm
			1530	1550	1570	nm
Spectrum Width	$\Delta\lambda$				4	nm
Current Threshold	Ith	1310nm		8	15	mA
		1550nm		10	15	mA
Forward voltage	Vf	If=Ith+20mA		1.1	1.5	v
Pigtail output	pf	If=Ith+20mA、1310nm	-5			dBm
		If=Ith+20mA、1550nm	-5			dBm
PD dark current	Id	Vr=-5V			0.1	$\mu$ A
Monitor current	Im	If=Ith+20mA	100			$\mu$ A

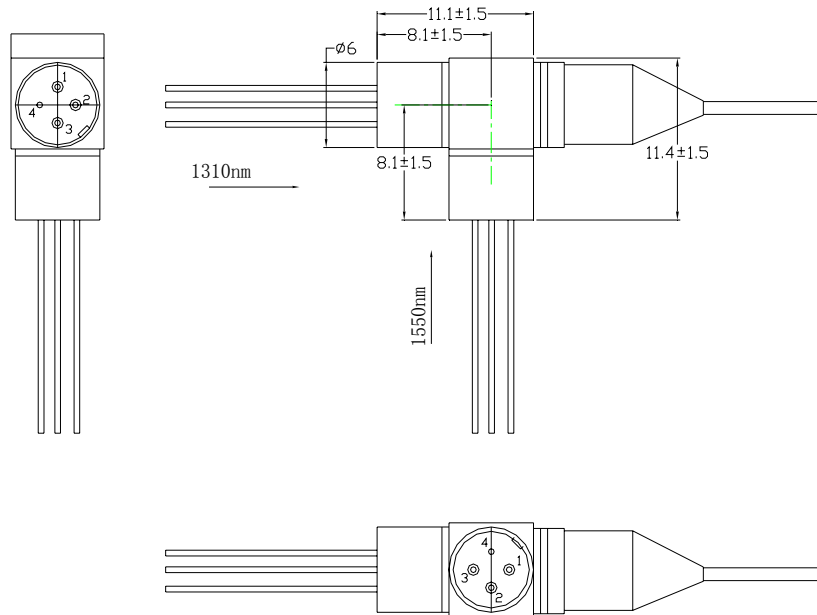
### Absolute Maximum Ratings

Parameters	Condition	Parameters	Unit
Operating temperature		-40~+85	$^{\circ}$ C
Storage temperature		-40~+125	$^{\circ}$ C
Reverse Voltage Vr	CW	2.0	v

### Pin Assignment

PN	LD Type A	LD Type C
1	LD Cathode	LD Cathode
2	PD Cathode	PD Anode
3	PD anode	PD Cathode/LD Anode
4	LD anode & Case	GND

## 1310/1550 Double Laser pigtail Device



### Ordering Information:

Dual Laser pigtail

DL-ABCDEFG

A(LD )	B(LD wave)	C(Power)	D ( Pack)	E(Isolation)	F-mode	G(P type)	H(fiber)
F-FP	1-850/1310nm	1>-5dBm	1-FC/PC	1-Without I	1-BD	A	S single
D-DFB	2-1310/1550nm	2\0~1.5dBm	2-SC/PC	2-With I	2-WDM	C	M5-50um
E-LED	3-1310/1490nm	3\1.5~3dBm	3-ST/PC			E	M6-62.5um
	4-1490/1550nm	4>3dBm	4-LC/PC				MT-400um
			5-FC/APC				
			6-SC/APC				
			7-LC/APC				

**Note:** laser pin position and fiber length can be designed by customer's requirement, general one is 65cm.